


PRODUCT SHEET

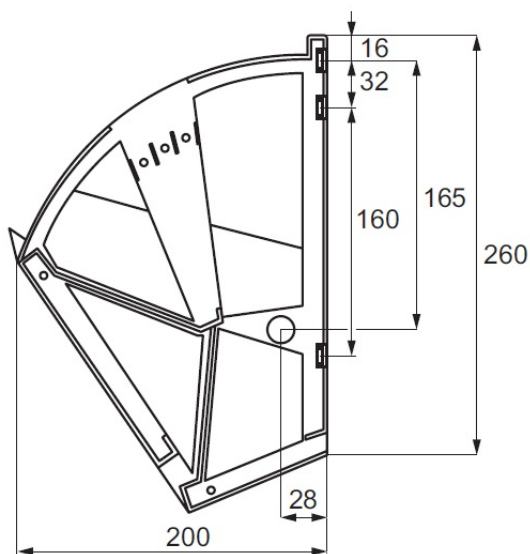
Description:

Shoe Boy, 2 Opening, White PS, Left Hand, No Fittings

Item number:

22.07.211-0

| Units | Box | Carton | HS Code | Barcode |
|-------|-----|--------|------------|--|
| Pcs. | 1 | 100 | 3926300090 |  |
| | | | | 5704866081801 |



SISO A/S

Mileparken 11
DK-2740 Skovlunde
Denmark
VAT: DK 24786013

Phone +45 45 830 900

www.siso.dk
siso@siso.dk

Danske Bank
Nytorv Branch
Copenhagen
SWIFT: DABADKKK

Account no.
4180 3112 112936
IBAN Account
DK7230003112112936